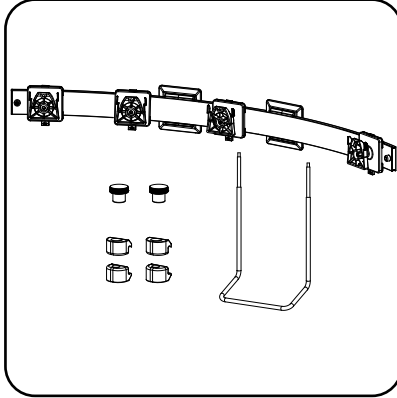


# SMM04QC

US Patent: 6,695,270 B1 6,758,454 B2 7,316,377 B2

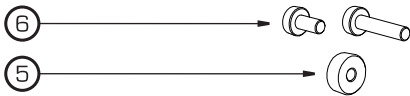


## Required Tools:

M4 Allen wrench  
Phillips Screwdriver

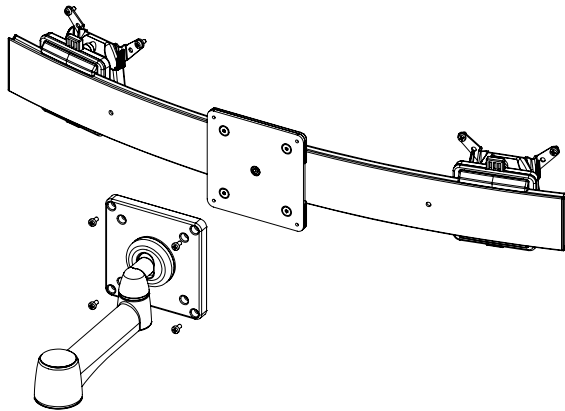
## Contents:

#	QTY	Part Name
1	01	Multiple Monitor Bracket
2	02	Handle Claw
3	02	Handle Cap
4	04	Handle
5	32	Monitor Screws
6	16	Plastic Washer

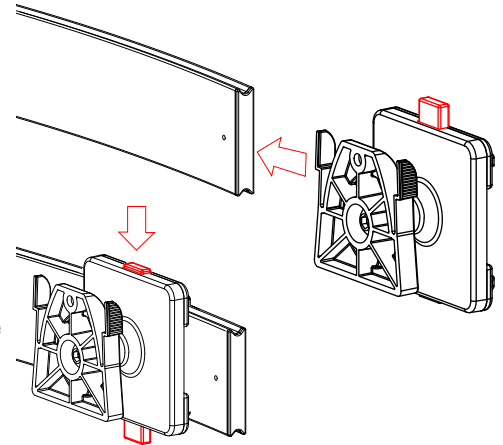


### Monitor Mounting

Hardware package includes both short and long screws and plastic washers. The long screws & plastic washers should be used for recessed monitor mounts.

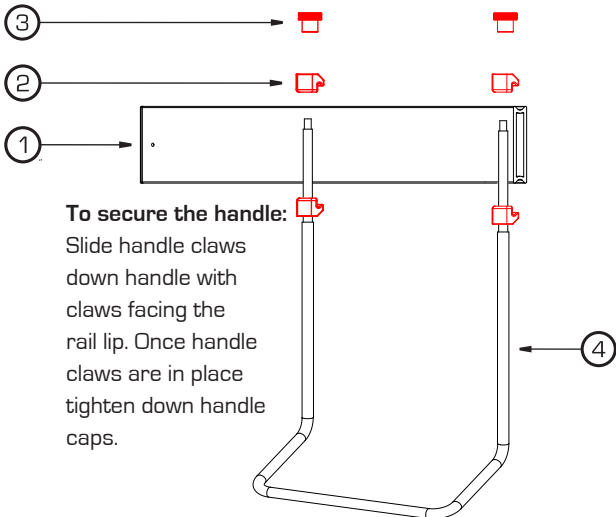
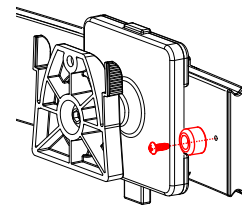


Slide mount onto rail with tab in up position



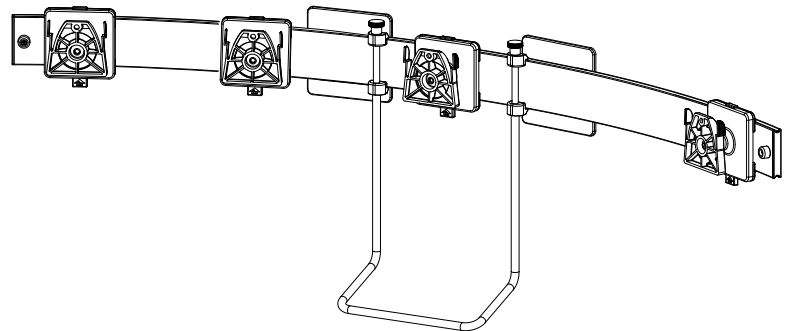
Push tab down to lock in place

Apply screw and rubber stop.



### To secure the handle:

Slide handle claws down handle with claws facing the rail lip. Once handle claws are in place tighten down handle caps.



**SpaceCo Business Solutions, Inc. 800.840.8499 www.spaceco.com**

DISCLAIMER OF DAMAGES FOR IMPROPER USE. SpaceCo shall not be responsible for damage to its products, or injuries or damages caused by its products, resulting from improper installation, maintenance, unintended use or attempts to operate such products beyond their mechanical capacity, intentionally or otherwise, or by reason of unauthorized repair. May be covered by issued or pending patents, please see [www.spaceco.com/patents](http://www.spaceco.com/patents) for details.