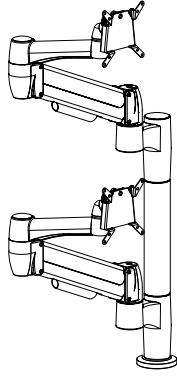


# SA11QCBT

Standard SpaceArm Quick Change Offset Single Hub Bolt Through  
 US Patent: 6,695,270 B1 6,758,454 B2 7,316,377 B2

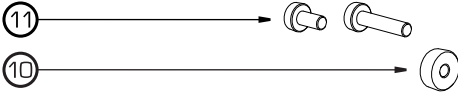


## Required Tools:

- 17 mm Socket
- 5mm Allen Key (Included)
- #2 Phillips Screwdriver

## Contents:

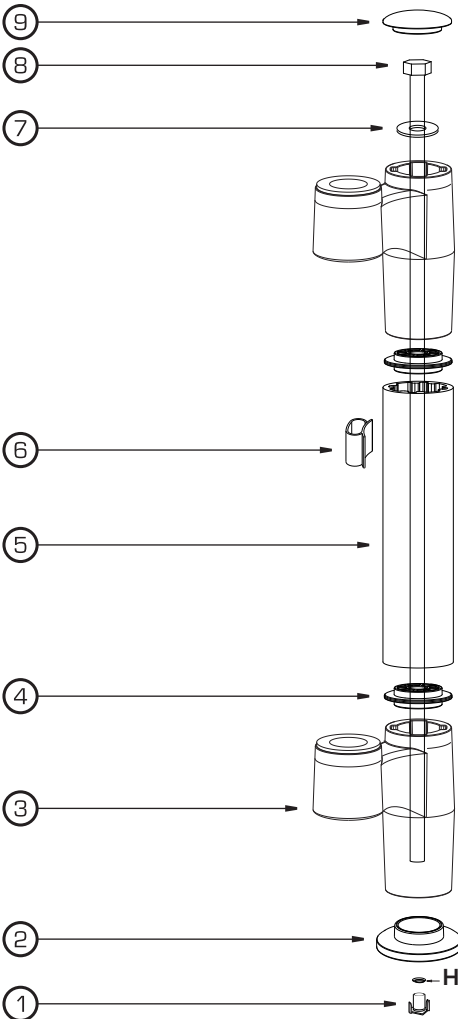
#	QTY	Part Name
1	01	T-Nut
2	01	Bolt Through Base Plate
3	01	Stacking Spacer
4	02	Offset Single Hub
5	01	8" Extension Tube
6	01	Column Cable Clip
7	01	M10 Washer
8	01	M10 Bolt
9	01	Base Cap
10	04	Plastic Washer
11	08	Monitor Screws
12	02	Standard SpaceArm



### Monitor Mounting

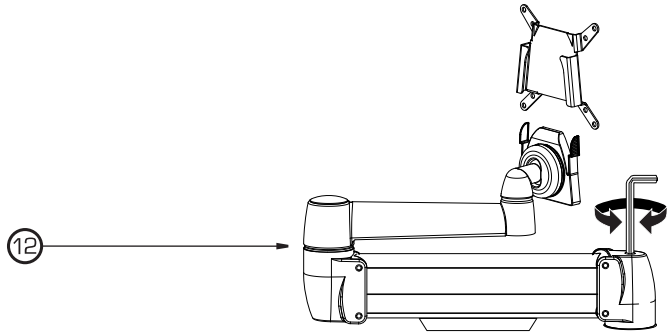
Hardware package includes both short and long screws and plastic washers.

The long screws & plastic washers should be used for recessed monitor mounts.



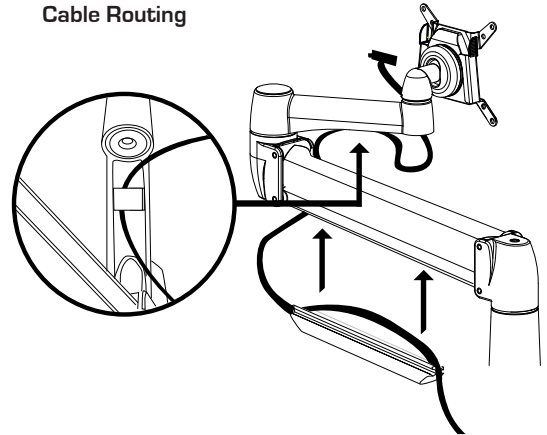
### Adjusting Counter Balance

\*Required Tool: 5mm Allen Wrench



Position Arm so it is parallel to desk surface.  
 Turn bolt clock wise for lighter monitors.

### Cable Routing



**SpaceCo Business Solutions, Inc. 800.840.8499 www.spaceco.com**

DISCLAIMER OF DAMAGES FOR IMPROPER USE. SpaceCo shall not be responsible for damage to its products, or injuries or damages caused by its products, resulting from improper installation, maintenance, unintended use or attempts to operate such products beyond their mechanical capacity, intentionally or otherwise, or by reason of unauthorized repair. May be covered by issued or pending patents, please see [www.spaceco.com/patents](http://www.spaceco.com/patents) for details.