



Sherpa

Created by Jacques RIVET

SHERPA, strong, functional and aesthetic mobile coat rail, suitable for all environments, reception lobbies, public buildings and hotels.

Equipped with four braked double roller casters, and with a top designed to hold hand-bags and briefcases.

SHERPA mobile coat rail are available in two lengths and can hold a range of hangers, including standard or anti-theft FILO hangers (not supplied with the coat rail).

Metallic structure in round and oblong tubing. Steel sheet top. Epoxy coated finishes. Double roller casters Ø 75 mm.

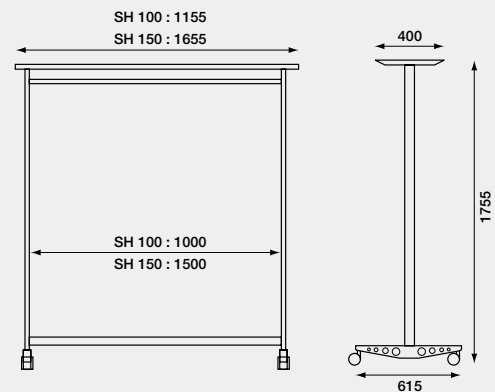
For more information on this product download the technical sheet on www.manade.com



-  01 White
-  24 Black
-  27 Anthracite grey
-  29 Silver

SHERPA useful length 1 m : **SH 100**
Capacities : 15 garments on FILO hangers - 30 Kg

SHERPA useful length 1,5 m : **SH 150**
Capacities : 20 to 25 garments on FILO hangers - 50 Kg



Filo

Created by Jacques RIVET

FILO, a hanger with a shape designed to hold perfectly various models of clothes.

Made of steel wire, epoxy coated in White, Black, Anthracite Grey or Silver.

Two models are available, the standard model with a hook and an anti-theft model with a ring.

For large orders, possibility of specific marking on the polypropylene label.

For more information on this product download the technical sheet on www.manade.com

